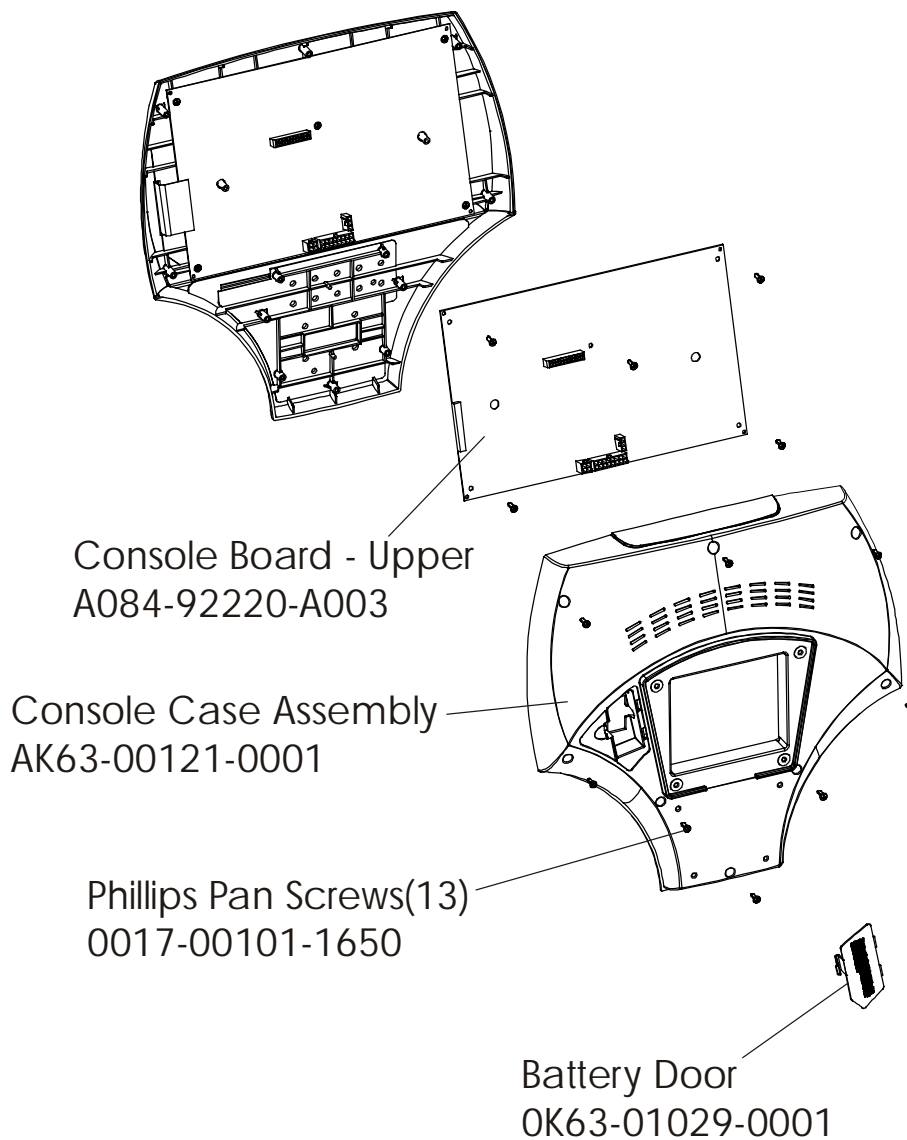


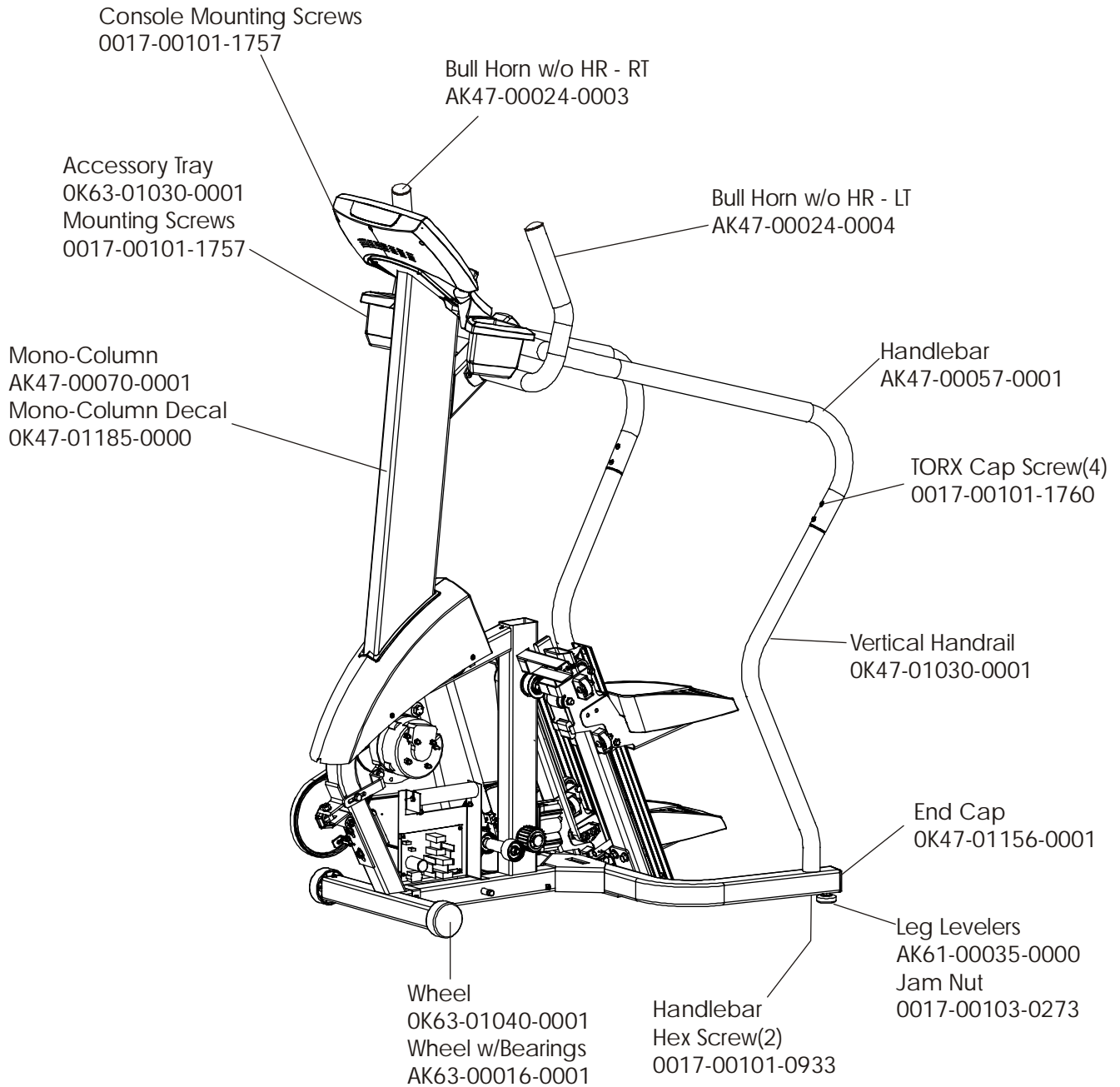
Description	Part Number
Service Manual	M051-00K47-A013
Operation Manual, Eng	M051-00K47-A033
Hardware Bag	AK47-00106-0000
Service Kit Network	GK63-00002-0003



Console Assembly	Overlay/Bezel/Switch Assy
AK47-00095-0001 Eng Met	AK47-00099-0001 Eng Met
AK47-00095-0003 Ger Met	AK47-00099-0003 Ger Met
AK47-00095-0004 Spn Met	AK47-00099-0004 Spn Met
AK47-00095-0006 Jap Met	AK47-00099-0006 Jap Met
AK47-00095-0007 Frn Met	AK47-00099-0007 Frn Met
AK47-00095-0008 Itl Met	AK47-00099-0008 Itl Met
AK47-00095-0009 Dut Met	AK47-00099-0009 Dut Met
AK47-00095-0010 Por Met	AK47-00099-0010 Por Met

Stepper 93S Frame Assembly

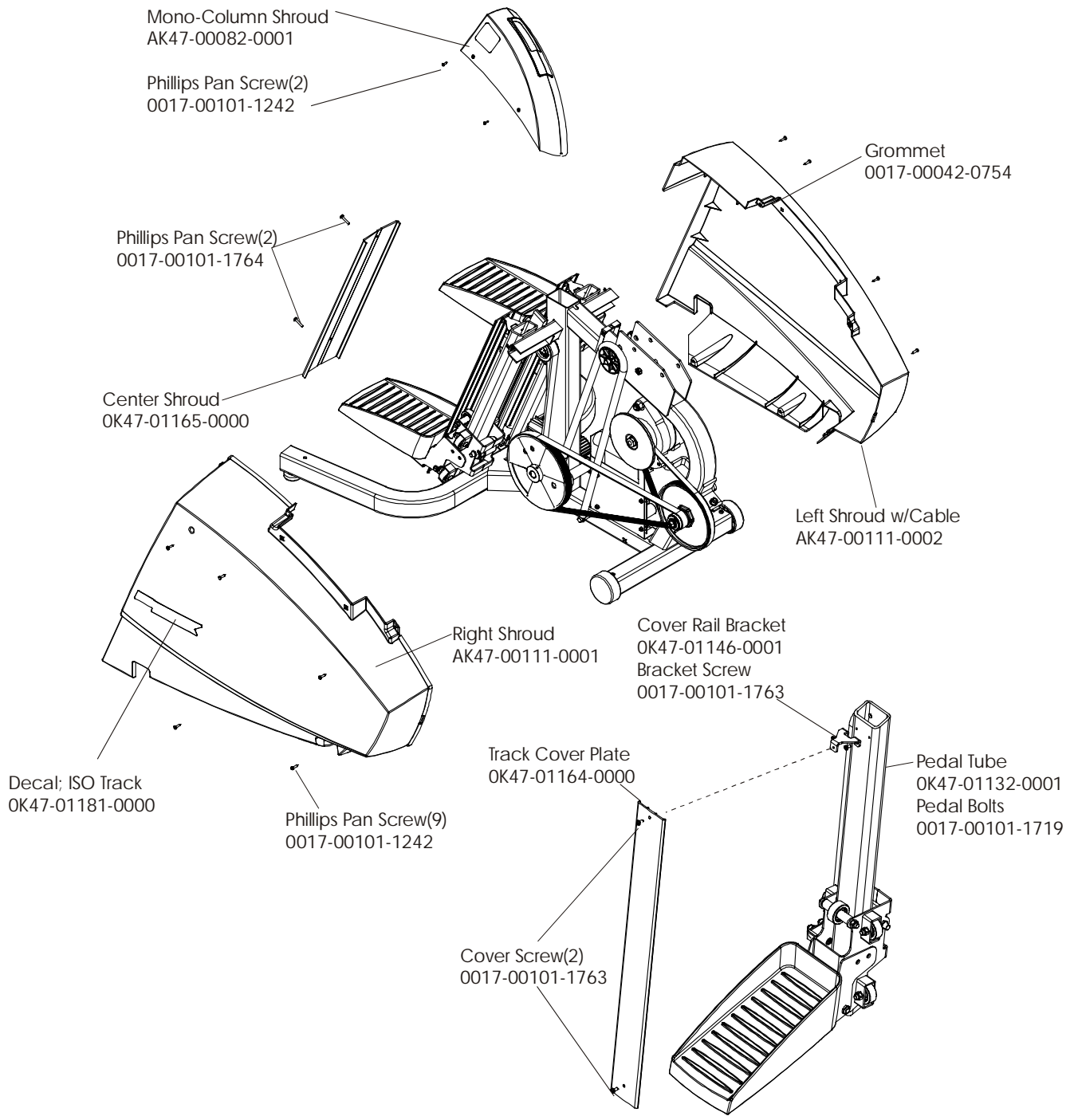
93S-XXXX-01
S/N SCB100000



Stepper 93S

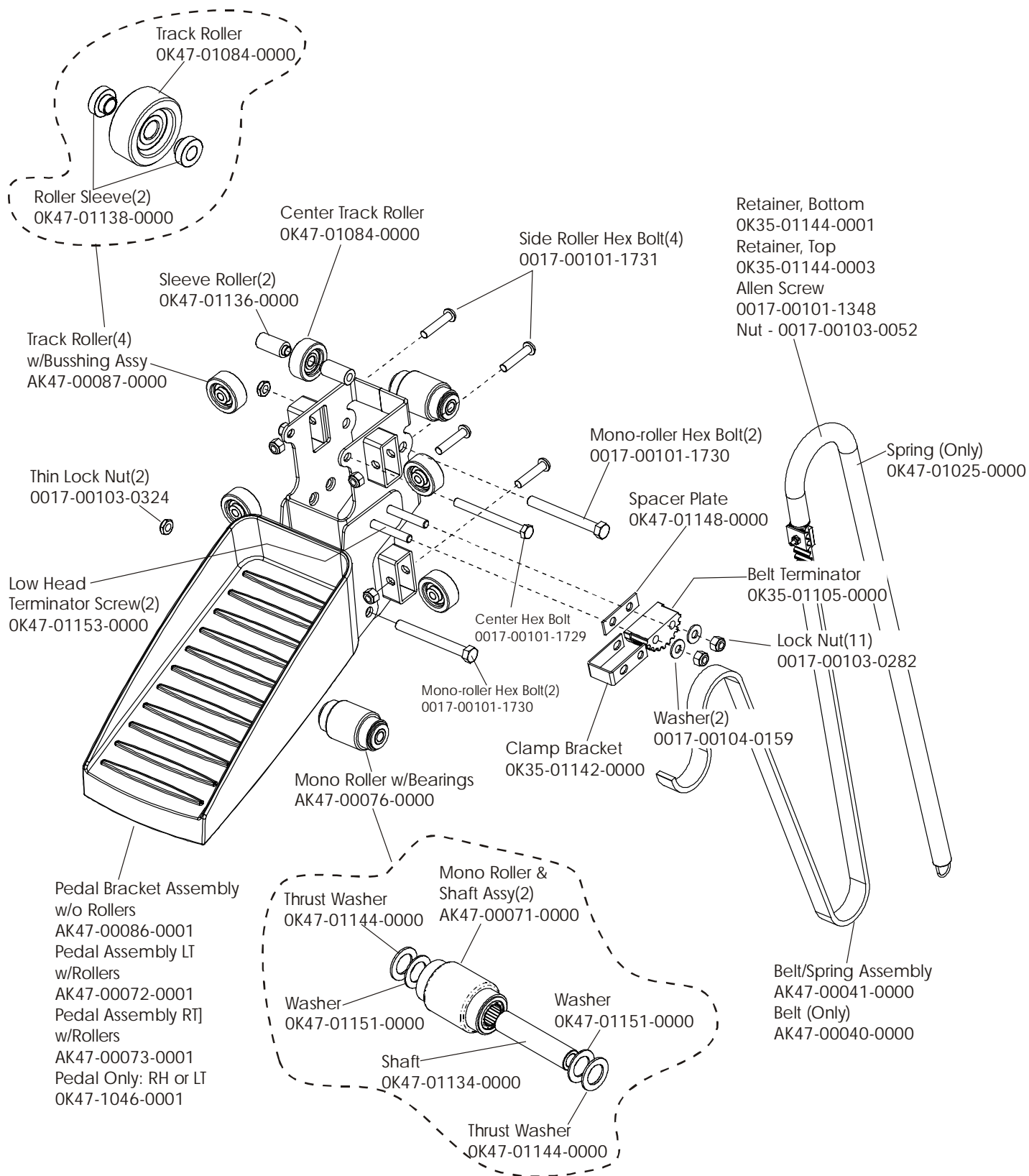
Shrouds & Pedal Tube

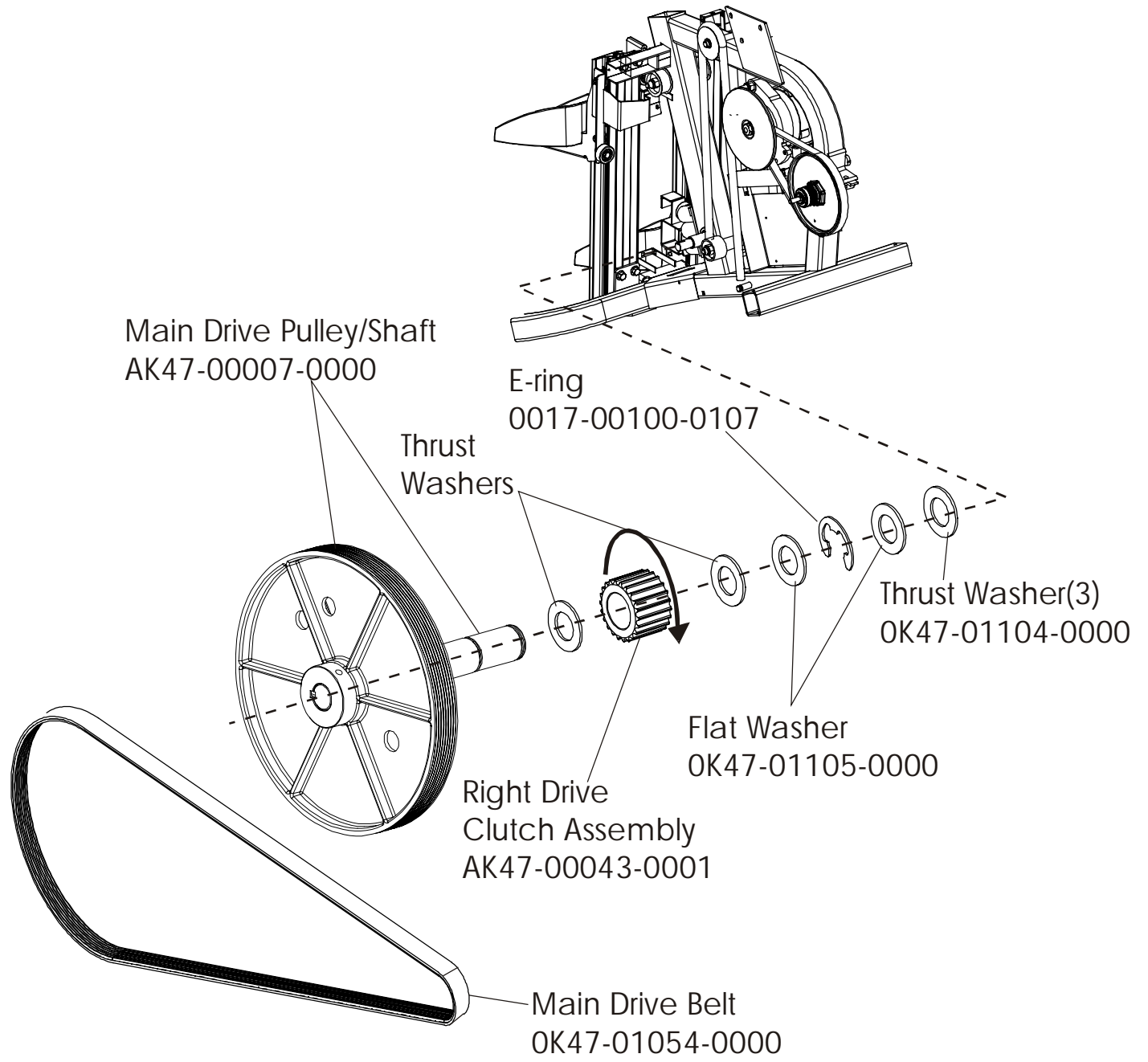
93S-XXXX-01
S/N SCB100000

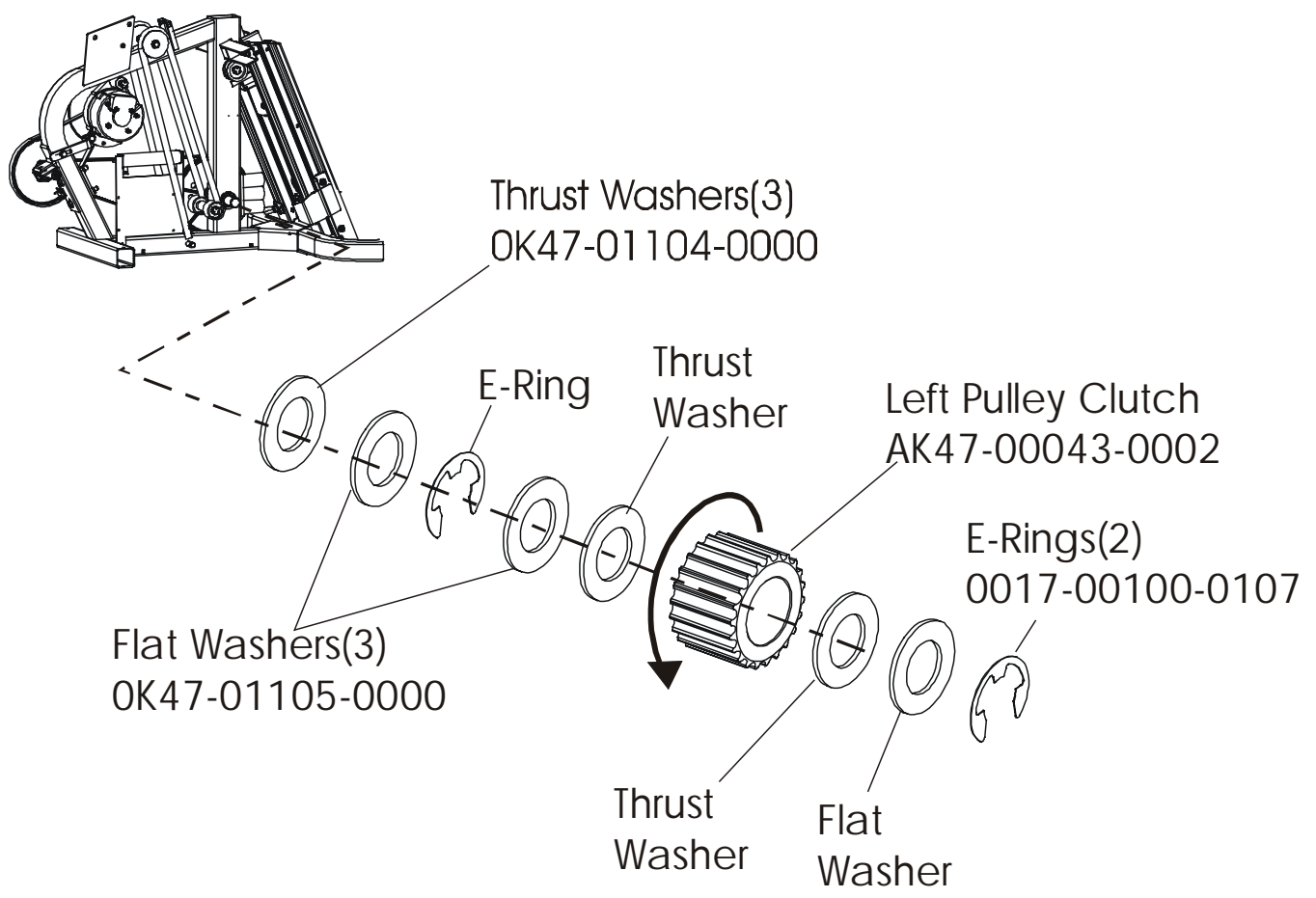


Stepper 93S Pedal Assembly

93S-XXXX-01
S/N SCB100000

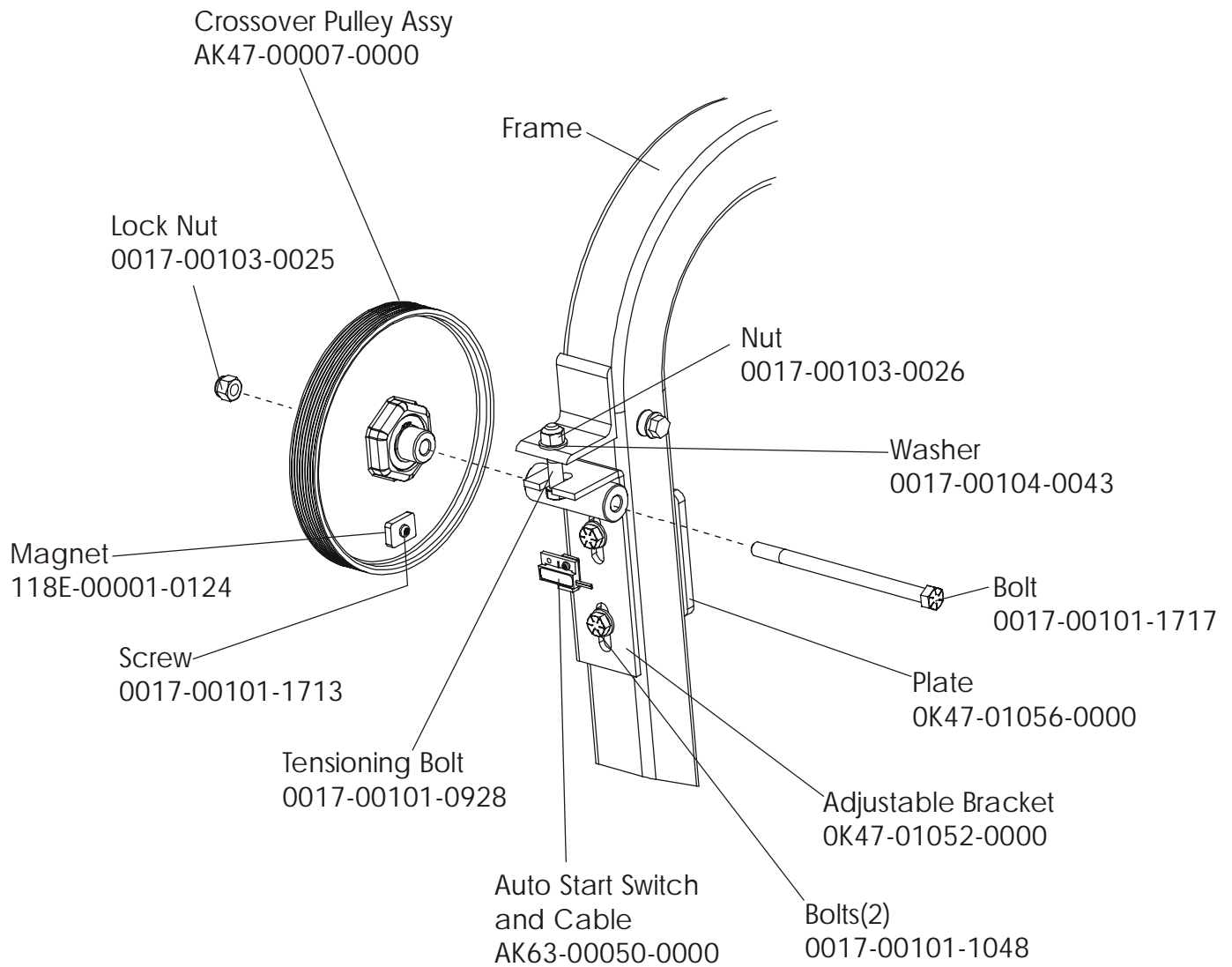


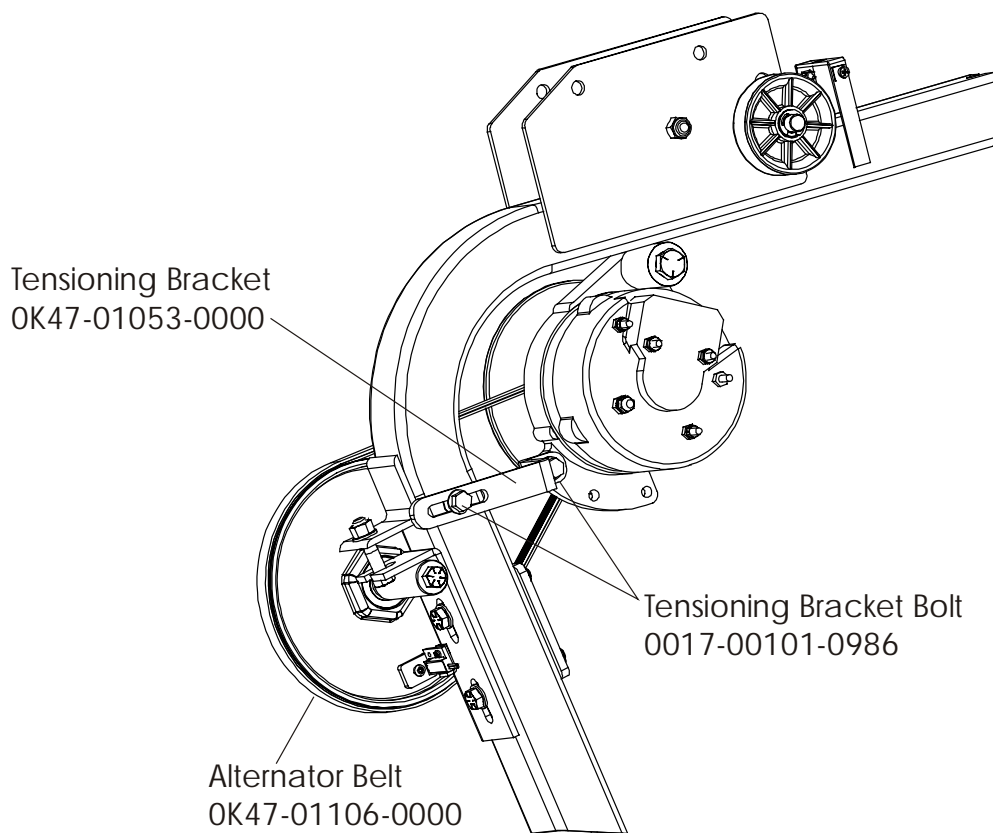
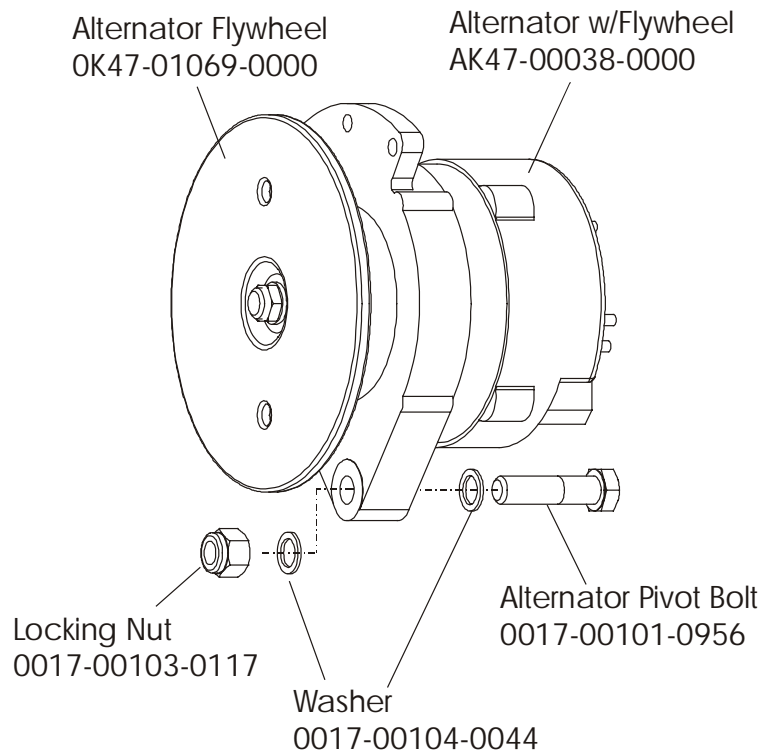


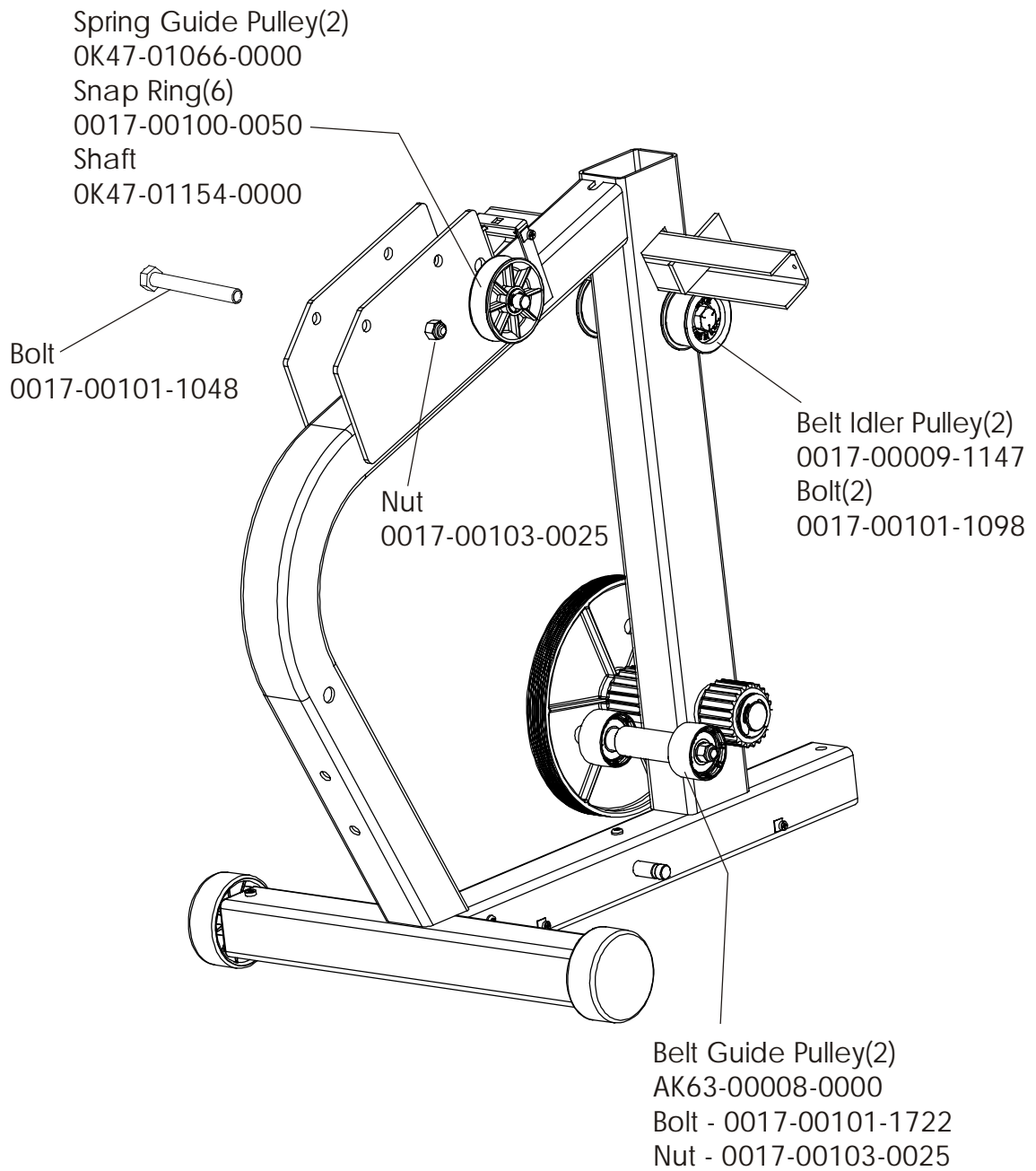


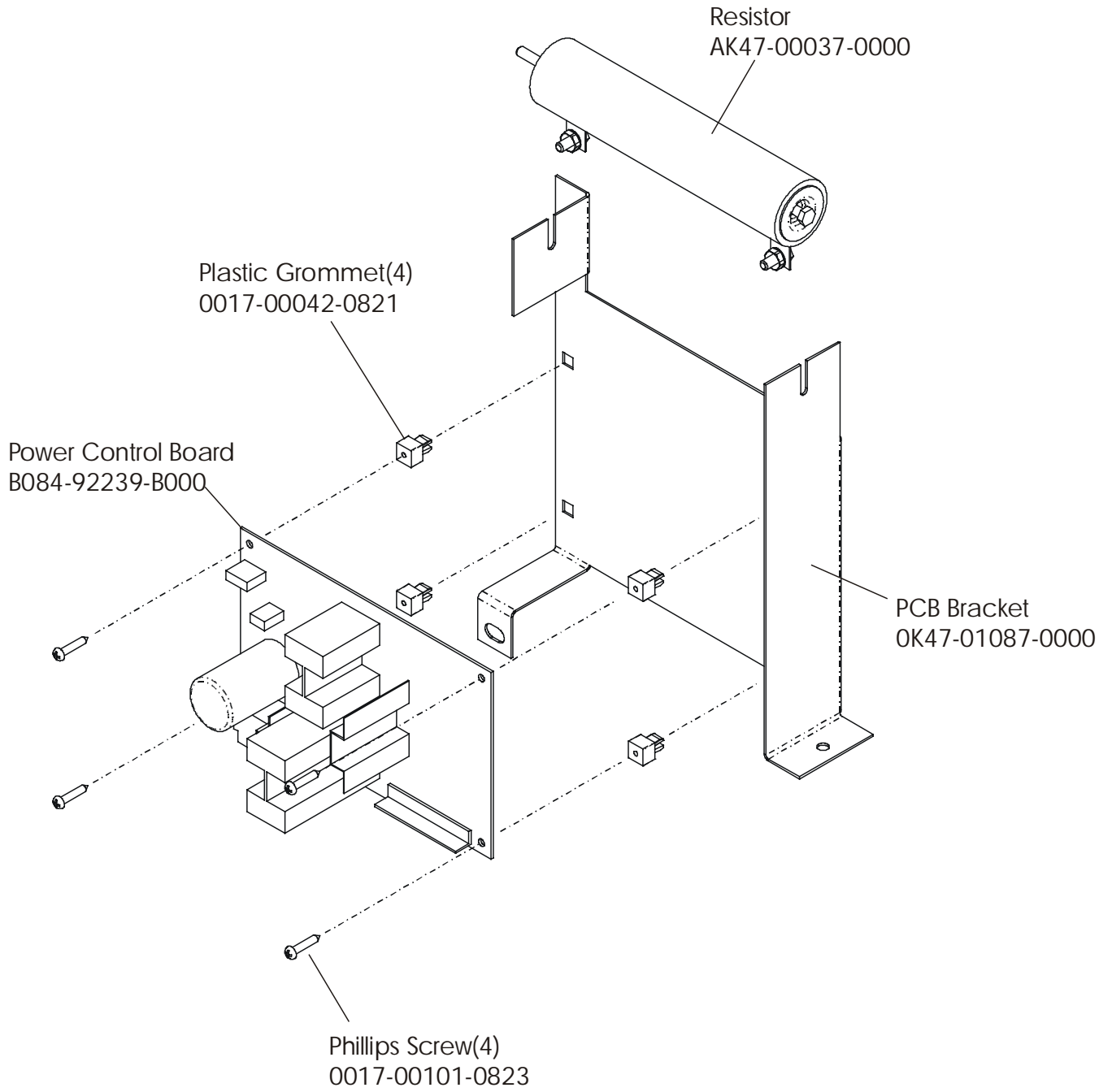
Stepper 93S
Crossover Pulley Assembly

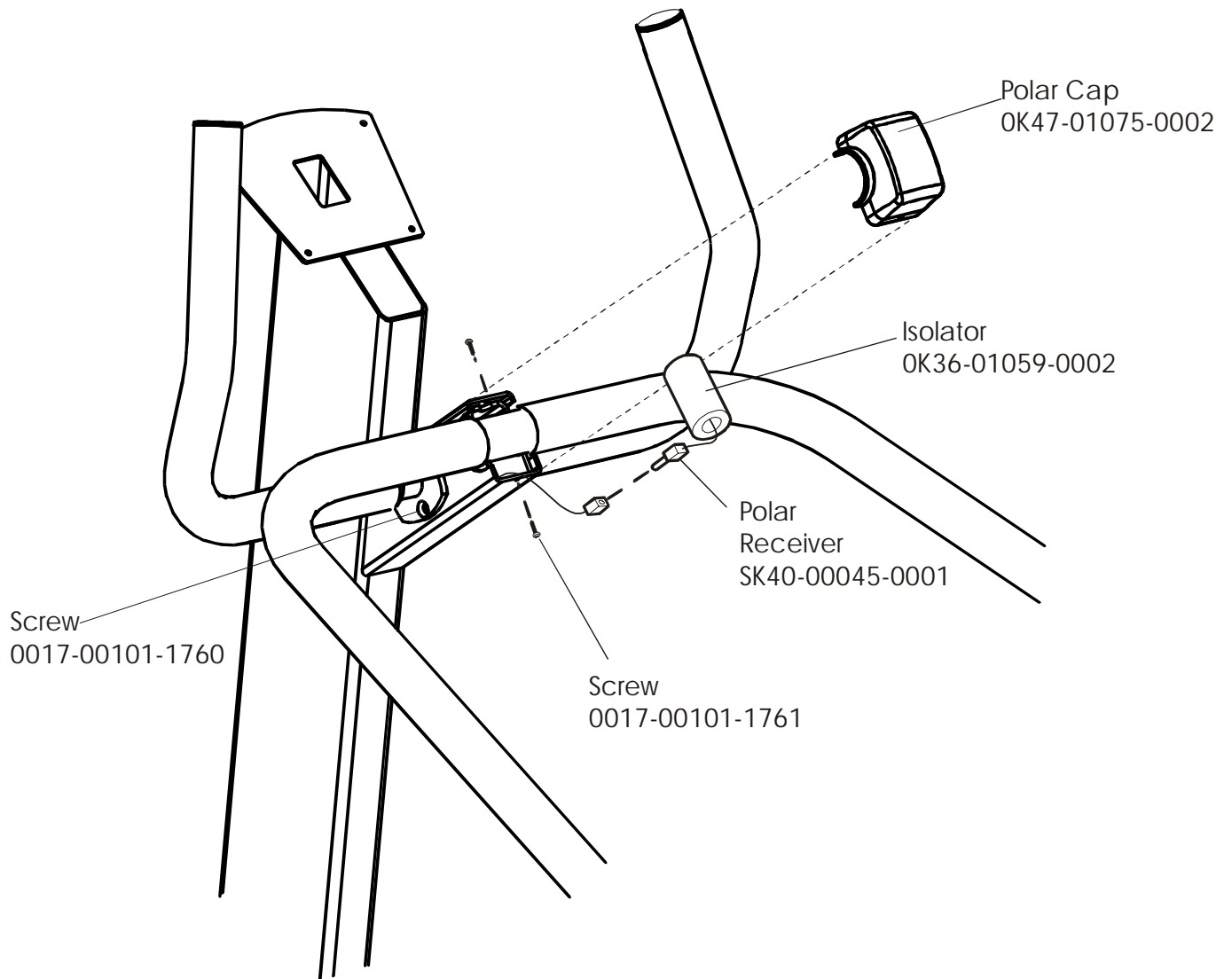
93S-XXXX-01
S/N SCB100000

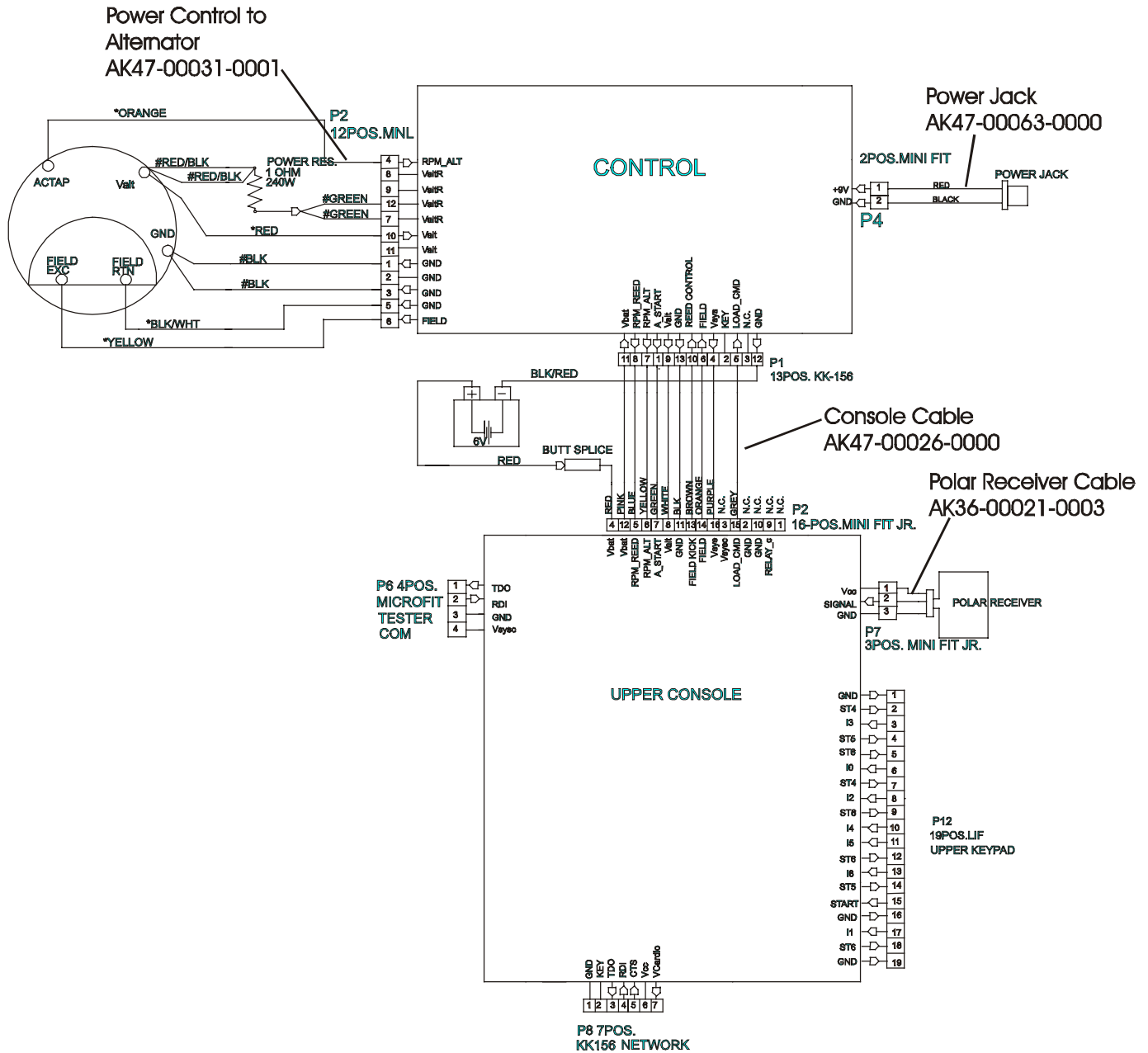












Description	Part Number
Domestic 120/60 Battery Charge w/Cord	118E-00001-0148
Universal Battery Charger w/o Line Cord	118E-00001-0147
Line Cord 220V/60Hz	0017-00003-0704
Line Cord 100V/50Hz	
Line Cord 240+	0017-00003-0918
Line Cord 220V/50Hz	0017-00003-0691
Line Cord 200V/50Hz	
Line Cord 230V/50Hz	